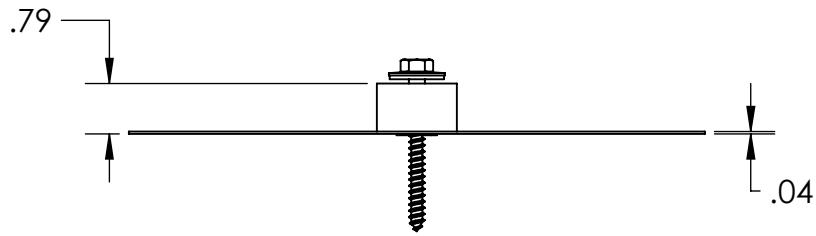
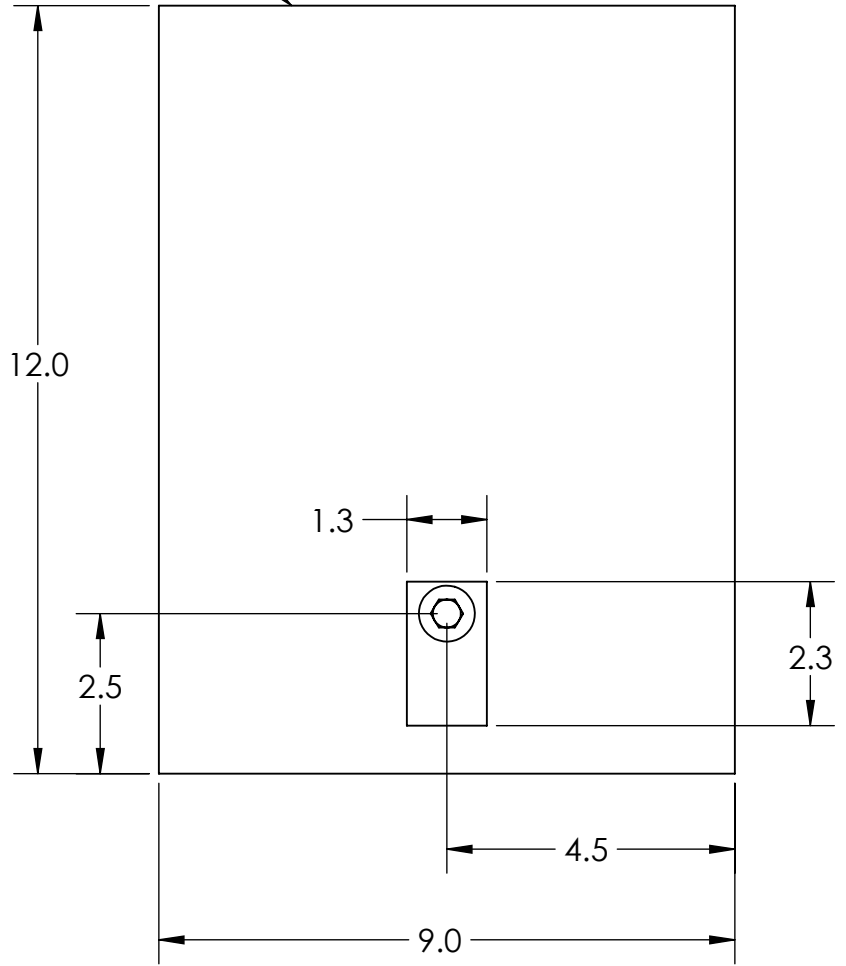
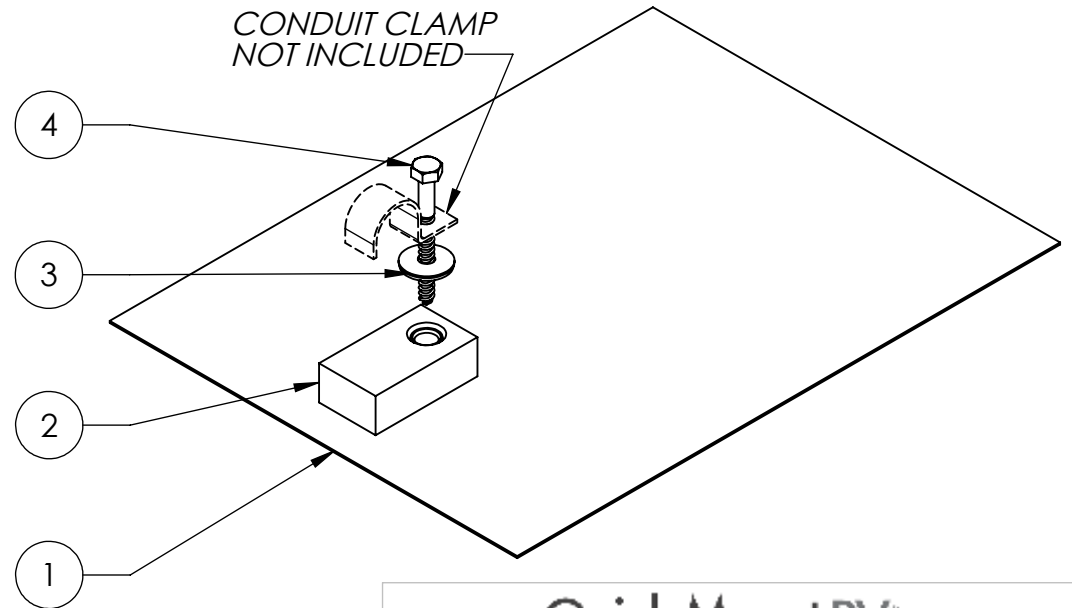


THIS EDGE TOWARDS ROOF RIDGE



ITEM NO.	DESCRIPTION	QTY.
1	FLASHING, 9" X 12" X .040", 5052, MILL	1
2	QBLOCK, CONDUIT, 5/16", 6061-T6, MILL	1
3	WASHER, SEALING, 1/4" ID X 7/8" OD, EPDM BONDED SS	1
4	LAG SCREW, HEX HEAD, 1/4" x 2-1/2", 18-8SS	1

AVAILABLE IN MILL, CLEAR ANODIZED, AND BRONZE ANODIZED FINISHES.



Quick Mount PV®

TITLE:

QMCC: CLASSIC CONDUIT COMPOSITION MOUNT

UNLESS OTHERWISE SPECIFIED:

DIMENSIONS ARE IN INCHES
 TOLERANCES:
 FRACTIONAL ± 1/8
 TWO PLACE DECIMAL ±.18
 THREE PLACE DECIMAL ±.125

SIZE	DRAWN BY: RAD	REV
A	DATE: 9/24/2013	4
SCALE: 1:3	WEIGHT: 0.68	SHEET 1 OF 1

PROPRIETARY AND CONFIDENTIAL
 THE INFORMATION CONTAINED IN THIS DRAWING IS THE SOLE PROPERTY OF QUICK MOUNT PV. ANY REPRODUCTION IN PART OR AS A WHOLE WITHOUT THE WRITTEN PERMISSION OF QUICK MOUNT PV IS PROHIBITED.

DO NOT SCALE DRAWING